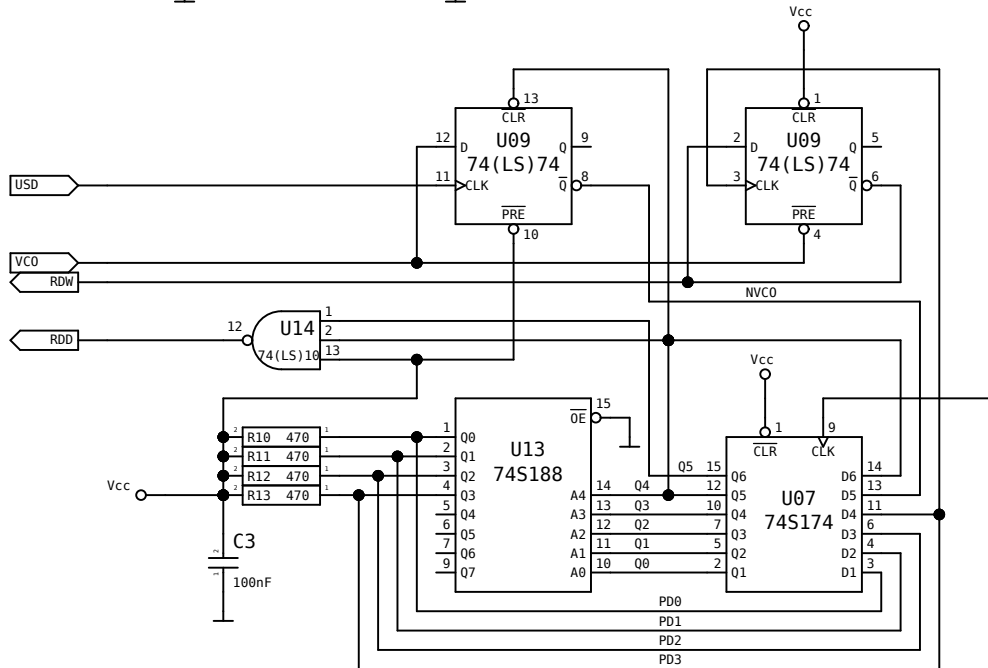


NOTA:
 In schema originala pinii 1,9,10,11,15
 de la U08 erau lasati in aer, doar 4 era
 legat la "1"



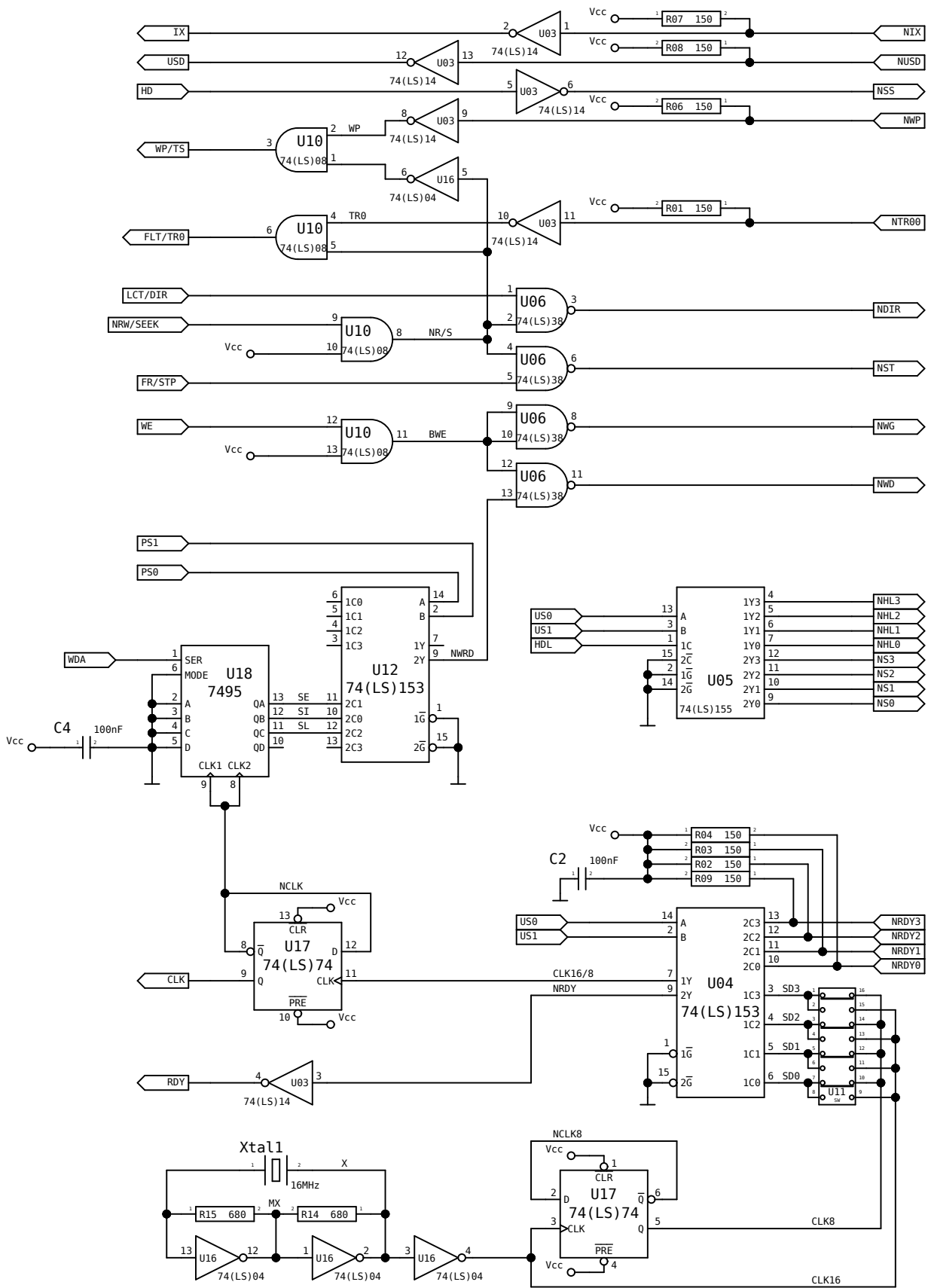
TITLE Interfata disc flexibil - Circuite formare ceas scriere si PLL digital
 Floppy disk interface - Write clock and digital PLL circuits

FILE: CoBra

REVISION: 2.15 (v.1.0)

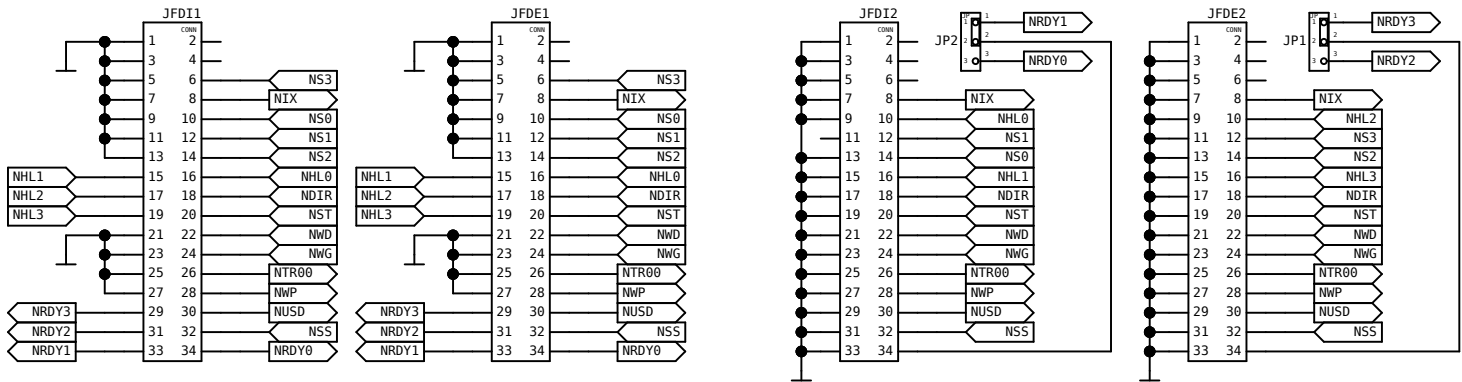
PAGE 1 OF 3

DRAWN BY: ElectronNix



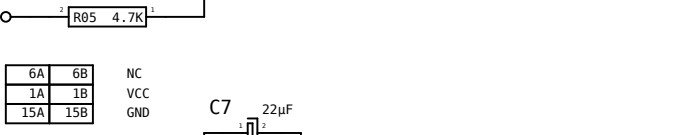
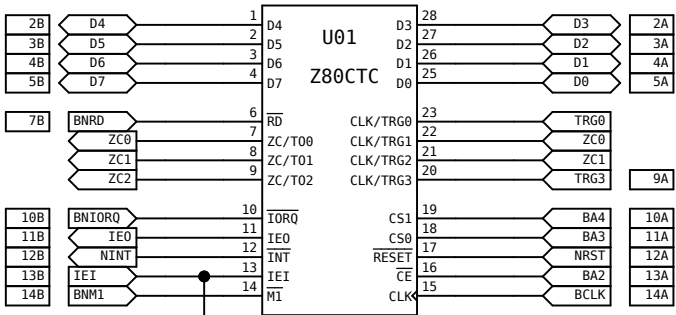
FDD 0-3
Type Select
(4 Switches)
↑ 5 1/4"
↓ 8"

TITLE Interfata disc flexibil - Circuite formare semnale comanda si ceas Floppy disk interface - Command and clock signals generator circuits	
FILE: CoBra	REVISION: 2.15 (v.1.0)
PAGE 2 OF 3	DRAWN BY: ElectronNix



* (1) JFDI1, JFDE1 sint conectori pentru unitati cu semnale la pini conform standardului original Shugart.
 JFDI1 = conector intern,
 JFDE1 = conector extern.
 Acesti conectori necesita cabluri de date nestandard, folosind o parte din liniile de masa pentru semnale de comanda.
 Fiecare cablu accepta maxim 4 unitati.

* (1) JFDI1, JFDE1 are connectors for drives whose pinout is compliant with the original Shugart standard.
 JFDI1 = internal connector,
 JFDE1 = external connector.
 These connectors require modified data cables since they use some of the ground lines for command signals.
 Each cable can take up to 4 drives.

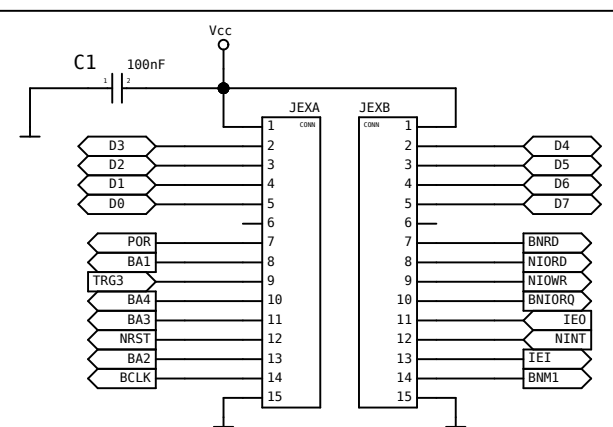
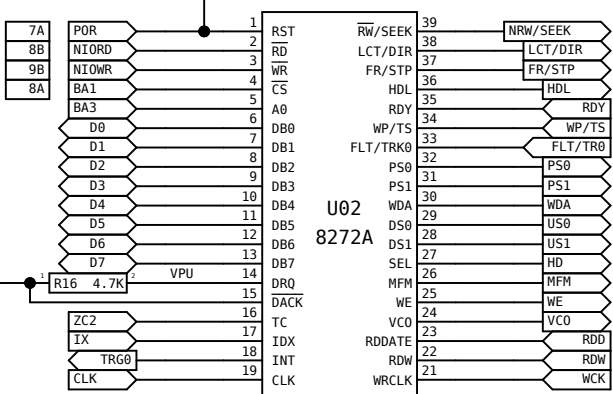


* (2) JFDI2, JFDE2, conectori pentru unitati cu semnale la pini neconform standardului original Shugart (unitati recente, fara jumperi pentru configurarea semnalului de selectie).
 JFDI2 = conector intern,
 JFDE2 = conector extern.

Aceste unitati sint preconfigurate ca unitate B: intrucit "vad" doar semnalul de SELECT de pe pinul 12 al conectorului si semnalul de HEAD LOAD de pe pinul 16.

JFDI2 si JFDE2 accepta fiecare cite un cablu standard IBM cu torsadare pentru cite doua unitati pe cablu. Daca semnalele READY sint generate de unitati cu iesiri open-collector, se pot lega doua unitati pe cablu simultan. Daca nu, una singura la un moment dat.

Unitatea cuplata la JFDI2 va fi A: sau B: functie de pozitia jumperului JP2.
 JP2=2-3 pt. unitatea A: (dupa torsadare),
 JP2=1-2 pt. unitatea B: (inainte de torsadare).
 Unitatea cuplata la JFDE2 va fi C: sau D: functie de pozitia jumperului JP1.
 JP1=2-3 pt. unitatea C: (dupa torsadare),
 JP1=1-2 pt. unitatea D: (inainte de torsadare).
 Daca se conecteaza 2 unitati pe cablu simultan, JP1 si/sau JP2 vor trebui sa aiba toti cei 3 pini legati impreuna.



JEX - CONECTOR INTERFATA FLOPPY
 JEX - FLOPPY INTERFACE CONNECTOR

* (2) JFDI2, JFDE2 are connectors for drives whose pinout is non compliant with the original Shugart standard (newer drives, without jumpers for drive select signal configuration).

JFDI2 = internal connector,
 JFDE2 = external connector.
 These drives are preconfigured to work as drive B: since they only "see" the SELECT signal coming on pin 12 of the connector and the HEAD LOAD signal coming on pin 16.

JFDI2 and JFDE2 can each take one flat IBM standard cable with twist for two drives per cable. If the drives generate the READY signal by open-collector outputs, two drives can be connected to a cable at the same time. If not, one drive at a time

Drive connected to JFDI2 will be A: or B: depending on JP2.

JP2=2-3 for drive A: (after twist),
 JP2=1-2 for drive B: (before twist).

Drive connected to JFDE2 will be C: or D: depending on JP1.

JP1=2-3 for drive C: (after twist),
 JP1=1-2 for drive D: (before twist).

For 2 drives on a cable at the same time, JP1 and/or JP2 will have to have all three pins shorted together.

Manualul original avea JEXA/8 listat ca fiind legat la BA7. De asemenea cablajul original avea JEXA/8 legat la BA7. Corect este ca JEXA/8 sa fie legat la BA1. Am modificat deci atit schema de fata precum si cablajul legind JEXA/8 la BA1 (pe placa de baza).

The original hardware manual had JEXA/8 listed as being connected to BA7. Also the original mainboard layout had JEXA/8 connected to BA7. Correctly, JEXA/8 should be connected to BA1. I have therefore changed this schematic as well as the mainboard layout by connecting JEXA/8 to BA1.

TITLE	Interfata disc flexibil - Controlorul de disc Floppy disk interface - Disk controller		
FILE:	CoBra	REVISION:	2.15 (v.1.0)
PAGE	3 OF 3	DRAWN BY:	ElectronNix